

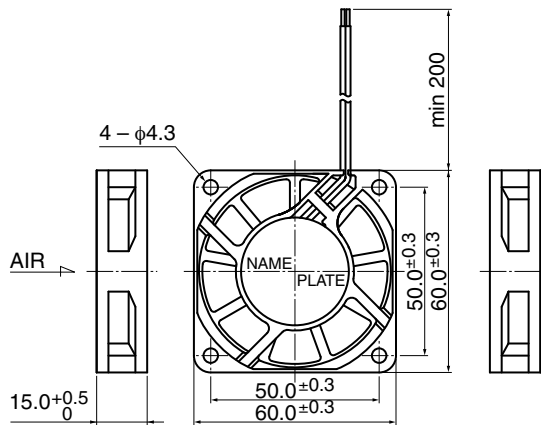
# 06015KA (2406KL)

60<sup>□</sup>X15<sup>L</sup>

## DC Axial Fan Ball Bearing



### Outline



### General Specifications

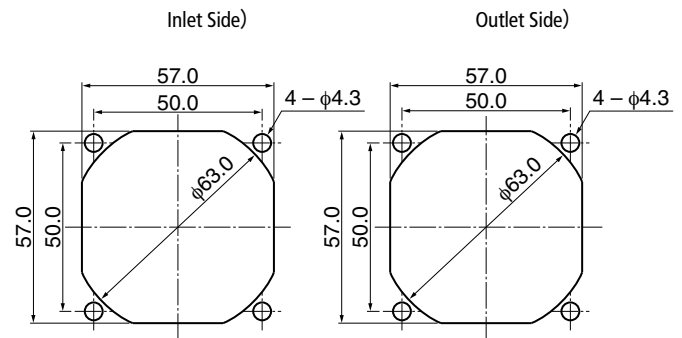
Motor Protection Auto Restart / Polarity Protection  
 Insulation Resistance 10MΩ or over with a DC500V Megger  
 Dielectric Withstand Voltage : AC700V 1s  
 Allowable Ambient : -10°C ~ +60°C (Operating)  
 Temperature Range -40°C ~ +60°C (Storage)  
 non-condensing environment

### Expected Life

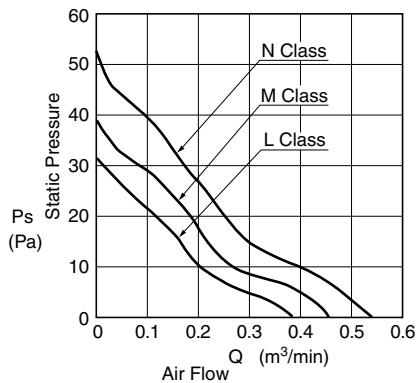
※ Failure Rate: 10% (L10 Life)

25°C 70,000 (Hours)

### Panel Out-cuts



### Characteristic Curves



### Material

Casing : Plastic (Black) UL94V-0  
 Impeller : Plastic (Black) UL94V-0  
 Bearing : Ball Bearing  
 Lead Wire : UL1007 AWG26 + : Red, - : Black

### Specifications

Model	Product No.	Rating Voltage	Operating Voltage	Current	Input Power	Speed	Max. Air Flow		Max. Static Pressure		Noise	Mass
		(V)	(V)				(m³/min)*1	(CFM)*1	(Pa)	(In H <sub>2</sub> O)		
06015KA-12L-AA-	00	12	6.0 ~ 13.8	0.09	1.08	3600	0.40	14.1	31.3	0.13	28.0	45
06015KA-12M-AA-	00			0.13	1.56	4100	0.45	15.9	39.7	0.16	31.0	
06015KA-12N-AA-	00			0.16	1.92	4600	0.52	18.4	51.2	0.21	34.0	
06015KA-24L-AA-	00	24	12.0 ~ 27.6	0.06	1.44	3600	0.40	14.1	31.3	0.13	28.0	
06015KA-24M-AA-	00			0.07	1.68	4100	0.45	15.9	39.7	0.16	31.0	
06015KA-24N-AA-	00			0.10	2.40	4600	0.52	18.4	51.2	0.21	34.0	

Rotation: Clockwise as seen from the label side  
 Airflow Outlet: Label side

\*1: Average Values in Free Air